



CROSBY® LIFTING CLAMPS



IPU10

The IPU10 vertical lifting clamp is used for lifting, turning, moving or vertical transfer of sheet, plates, or fabrications from horizontal to vertical and down to horizontal (180°) as needed. The hinged hoisting eye allows for the clamp to place and lift the load from any direction, or with a multiple leg sling without side-loading the clamp.

Universal - for lifting in any direction

- Available in capacities of .5 thru 30 metric tons (Higher Working Load Limits are available upon request).
- Wide variety of jaw openings available: 0° to 155mm.
- Welded alloy steel body for strength and smaller size. Forged alloy components, where required.
- Individually Proof Tested to 2 times the Working Load Limit with certification.
- Company name (CrosbyIP), logo, Working Load Limit and jaw opening permanently stamped on body.
- Each product is individually serialized, with the serial number and Proof Load test date stamped on body. User manual with test certificate is included with each clamp
- Available in a variety of styles:
 - IP10 - Standard clamp for materials with a surface hardness to 363HV10 (345 HB).
 - IP10J - Larger jaw opening.
 - IP10S - For use with Stainless Steel material.
 - IP10H - For use with materials with a surface hardness to 472HV10 (450 HB).
- Full 180° turning range for material transfer, turning or moving.
- Lock open, lock closed ability with latch for pretension on material and then release of material.
- Optional IP-5000 Stinger assembly available (see page 428). Allows for easy connection between the clamp and hoist hook.
- For use with materials with a surface hardness to 279HV10. Only 5% minimum WLL is needed.
- Maintenance and repair kits are available.
- Manufactured by an ISO 9001 facility.
- All sizes are **RFID EQUIPPED**.
- Minimum WLL is 5% of maximum WLL for .5t IP10 only.
- Minimum WLL is 10% of maximum WLL all other IP10, IP10J, IP10S, IP10H clamps.



IPU10S

IPU10S: For use with Stainless Steel material.
IPU10H: For use with materials with a surface hardness to 47Rc (450 HB).

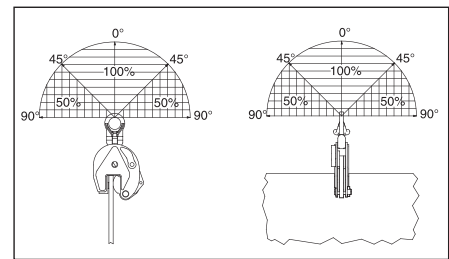
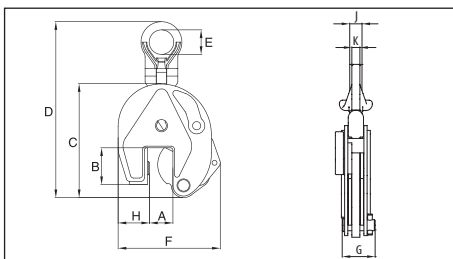


Load Rated

Model IPU10 / IPU10J / IPU10S / IPU10H

Model	Working Load Limit (t)*	IPU10 Stock No.	Weight Each (kg.)	Dimensions (mm)									
				Jaw A	B	C	D	E	F	G	H	J	K
IPU10	0.5	2701675	1.9	0 - 16	44	130	216	40	115	42	28	-	11
IPU10	1	2701663	2.4	0 - 20	45	139	225	40	127	42	38	-	11
IPU10	2	2701677	8.5	0 - 35	78	201	368	70	188	64	55	-	16
IPU10	3	2701665	14.8	0 - 40	100	253	436	75	222	78	60	-	20
IPU10	4.5	2701667	16.0	0 - 40	100	253	436	75	227	82	65	-	20
IPU10	6	2701669	24.0	0 - 50	126	302	525	80	292	84	95	44	20
IPU10	9	2701671	29.5	0 - 50	126	325	552	80	310	94	104	44	20
IPU10	12	2701679	57.0	0 - 54	160	392	616	80	433	121	137	41	25
IPU10	16	2701683	79.0	5 - 64	180	463	736	88	492	121	153	45	25
IPU10	22.5	2701687	126.0	5 - 80	222	554	863	110	565	139	186	49	25
IPU10	30	2701691	141.0	5 - 80	222	554	868	110	580	153	186	54	30
IPU10J	3	2702465	17.3	40 - 80	115	270	432	75	277	78	67	-	20
IPU10J	6	2702469	26.5	50 - 100	126	302	515	80	336	84	95	44	20
IPU10J	9	2701673	30.5	50 - 100	126	325	550	80	360	94	105	44	20
IPU10J	12	2701681	65.0	54 - 108	178	438	662	80	491	121	136	41	25
IPU10J	16	2701685	85.0	64 - 128	208	521	784	88	562	121	160	45	25
IPU10J	22.5	2701689	149.0	80 - 155	255	628	938	110	660	139	196	49	25
IPU10J	30	2701693	165.0	80 - 155	255	628	942	110	660	153	196	54	30
For stainless steel - with universal hoisting eye													
IPU10S	0.5	2702275	1.9	0 - 16	44	130	216	40	115	42	28	-	11
IPU10S	1	2702263	2.4	0 - 20	45	139	225	40	127	41	38	-	11
IPU10S	2	2702277	8.5	0 - 35	78	201	368	70	188	64	55	-	16
IPU10S	3	2702265	14.8	0 - 40	100	253	436	75	222	78	60	-	20
IPU10S	4.5	2702267	16.0	0 - 40	100	253	436	75	227	82	65	-	20
IPU10S	6	2702269	24.0	0 - 50	126	302	525	80	292	84	95	44	20
IPU10S	9	2702271	29.5	0 - 50	126	325	552	80	310	94	104	44	20
IPU10S	12	2702279	57.0	0 - 54	160	392	616	80	433	121	137	41	25
For very hard materials - with universal hoisting eye													
IPU10H	0.5	2702175	1.9	0 - 16	44	130	216	40	115	42	28	-	11
IPU10H	0.75	2702163	2.4	0 - 20	45	139	225	40	127	41	38	-	11
IPU10H	1	2702177	7.6	0 - 35	78	201	368	70	188	64	55	-	16
IPU10H	2	2702165	14.8	0 - 40	100	253	436	75	222	78	60	-	20
IPU10H	3	2702167	16.0	0 - 40	100	253	436	75	227	82	65	-	20
IPU10H	4.5	2702169	24.0	0 - 50	126	302	525	80	292	84	95	44	20
IPU10H	6	2702171	29.5	0 - 50	126	325	552	70	310	94	104	44	20

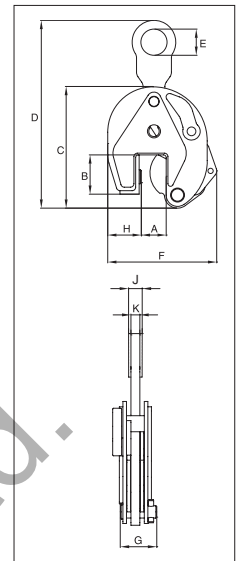
* Design Factor based on EN 13155 and ASME B30.20. Model IPU10R (remote control opening and closing via a cable) on request. Model IPU10W (wedge) available on request.



Vertical Clamps

For vertical lifting, turning and transfer

- Available in capacities of .5 thru 30 metric tons (Higher Working Load Limits are available upon request).
- Wide variety of jaw openings available: 0 to 155mm.
- Welded alloy steel body for strength and smaller size. Forged alloy components, where required.
- Individually Proof Tested to 2 times the Working Load Limit with certification
- Company name (CrosbyIP), logo, Working Load Limit and jaw opening permanently stamped on body.
- Each product is individually serialized, with the serial number and Proof Load test date stamped on body. User manual and test certificate included with each clamp
- Available in a variety of styles:
 - IP10 - Standard clamp for materials with a surface hardness to 363HV10 (345 HB).
 - IP10J - Larger jaw opening.
 - IP10S - For use with Stainless Steel material.
 - IP10H - For use with materials with a surface hardness to 472HV10 (450 HB).
- Full 180° turning range for material transfer, turning or moving.
- Lock open, lock closed ability with latch for pretension on material and then release of material.
- Optional IP-5000 Stinger assembly available (see page 428). Allows for easy connection between the clamp and hoist hook.
- For plate surface hardness till 279HV10, only 5% min. WLL is needed.
- Maintenance and repair kits are available.
- Manufactured by an ISO 9001 facility.
- All sizes are **RFID EQUIPPED**.
- Minimum WLL is 5% of maximum WLL for .5t IP10 only.
- Minimum WLL is 10% of maximum WLL for all other IP10, IP10J, IP10S, IP10H clamps.



IP10

The IP10 vertical lifting clamp is used for the lifting, turning, moving or vertical transfer of sheet, plates, or fabrications from horizontal to vertical and down to horizontal (180°) as needed. Usually used as a single point pick or when used with a spreader beam with multiple vertical drop lines.



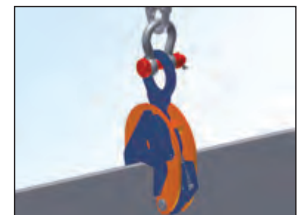
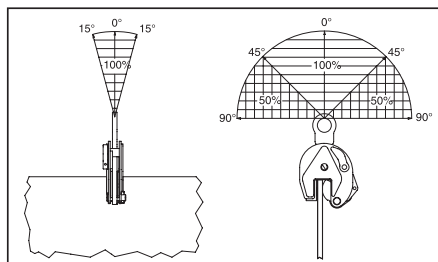
Model IP10

Model	Working Load Limit (t)*	IP10 Stock No.	Weight Each (kg)	Dimensions (mm)									
				Jaw A	B	C	D	E	F	G	H	J	K
IP10	0.5	2701674	1.8	0 - 16	44	130	203	40	115	42	28	-	11
IP10	1	2701662	2.2	0 - 20	45	139	212	40	127	42	38	-	11
IP10	2	2701676	7.6	0 - 35	78	201	330	70	188	64	55	-	16
IP10	3	2701664	13.8	0 - 40	100	253	434	75	222	78	60	-	20
IP10	4.5	2701666	15.0	0 - 40	100	253	434	75	227	82	65	-	20
IP10	6	2701668	23.5	0 - 50	126	302	517	80	292	84	95	40	20
IP10	9	2701670	27.5	0 - 50	126	325	445	80	310	94	104	44	25
IP10	12	2701678	49.0	0 - 54	160	392	574	80	433	121	137	41	25
IP10	16	2701682	68.0	5 - 64	180	463	686	88	492	121	153	49	25
IP10	12	2701678	110.0	0 - 54	222	554	808	110	565	139	186	49	25
IP10	22.5	2701686	124.0	5 - 80	222	554	803	110	565	153	186	54	30
IP10	30	2701690	124	5 - 80	222	554	803	110	565	153	186	54	30
IP10J	0.5	2701646	1.8	15 - 30	45	128	209	40	128	41	32	-	11
IP10J	6	2701705	24.5	50 - 100	126	302	506	80	336	84	95	40	20
IP10J	9	2701672	28.5	50 - 100	126	325	542	80	360	94	105	44	25
IP10J	12	2701680	58.0	54 - 108	178	438	620	80	491	121	136	41	25
IP10J	16	2701684	80.0	64 - 128	208	521	734	88	562	121	160	45	25
IP10J	22	2701688	131.0	80 - 155	255	628	883	110	660	139	196	49	25
IP10J	30	2701692	147.0	50 - 155	255	628	887	110	660	153	196	54	30
For stainless steel - with fixed hoisting eye													
IP10S	0.5	2702274	1.8	0 - 16	44	130	203	40	115	42	28	11	11
IP10S	1	2702262	2.2	0 - 20	45	139	212	40	127	42	38	11	11
IP10S	2	2702276	7.6	0 - 35	78	201	330	70	188	64	55	16	16
IP10S	3	2702264	13.8	0 - 40	100	253	434	75	222	78	60	20	20
IP10S	4.5	2702266	15.0	0 - 40	100	253	434	75	227	82	65	20	20
IP10S	6	2702268	23.5	0 - 50	126	302	517	80	292	84	95	20	20
IP10S	9	2702270	27.5	0 - 50	126	325	544	80	310	94	104	25	25
IP10S	12	2702278	49.0	0 - 54	160	392	574	80	433	121	137	25	25
For very hard materials - with fixed hoisting eye													
IP10H	0.5	2702174	1.8	0-16	44	130	207	40	115	42	28	11	11
IP10H	0.75	2702162	2.2	0-20	45	139	219	40	130	28	38	11	11
IP10H	1.0	2702176	7.6	0-35	78	201	330	70	188	64	55	16	16
IP10H	2.0	2702164	13.8	0-40	100	253	434	75	222	78	60	20	20
IP10H	3.0	2702166	15.0	0-40	100	253	434	75	227	82	65	20	20
IP10H	4.5	2702168	23.5	0-50	126	302	517	80	292	84	95	20	20
IP10H	6.0	2702170	27.5	0-50	126	325	544	80	310	92	105	25	25
IP10H	25.0	2703530	74	0-60	169	40	-	47	184	320	220	87	87

* Design Factor based on EN 13155 and ASME B30.20.

Model IP10 available in 40t, 55t and 100t on request.

Model IP10R (remote control opening and closing via a cable) available on request.





IPNM10N

The IPNM10N vertical lifting clamp is used for lifting, turning, moving or vertical transfer of sheet, plates, or fabrications from horizontal to vertical and down to horizontal (180°) as needed without marring the surface of the material. Materials such as aluminum, stainless steel, painted materials, aircraft skins, composite material, glass, plastic, etc., can be lifted without marring.

Will not mar, or scratch the material surface.

For use in almost all sectors of industry where during the lift or transfer, no damage to the material is permitted.

- Available in capacities of .5 , 1 and 2 metric tons.
- Wide variety of jaw openings available: 0 to 40mm.
- Welded alloy steel body for strength and smaller size. Forged alloy components, where required.
- Individually Proof Tested to 2 times the Working Load Limit with certification.
- Company name (CrosbyIP), logo, Working Load Limit and jaw opening permanently stamped on body.
- Each product is individually serialized, with the serial number and Proof Load test date stamped on body. User manual with test certificate is included with each clamp.
- Full 180° turning range for material transfer, turning or moving.
- Lock open, lock closed ability with latch for pretension on material and then release of material.
- Optional IP-5000 Stinger assembly available (see page 428). Allows for easy connection between the clamp and hoist hook.
- Material must be clean and dry.
- There is no minimum WLL required.
- Maintenance and repair kits are available.
- Manufactured by an ISO 9001 facility.
- All sizes are **RFID EQUIPPED**.
- The special IPNMN10JC is also available with curved jaws.



IPNM10P

The IPNM10P vertical lifting clamp is used for lifting, turning, moving or vertical transfer of sheet, plates, or fabrications from horizontal to vertical and down to horizontal (180°) as needed without marring the surface of the material. Materials such as aluminum, stainless steel, painted materials, aircraft skins, composite material, glass, plastic, etc., can be lifted without marring. The protective cover reduces the risk of damage to surrounding plates.

Will not mar, or scratch the material surface.

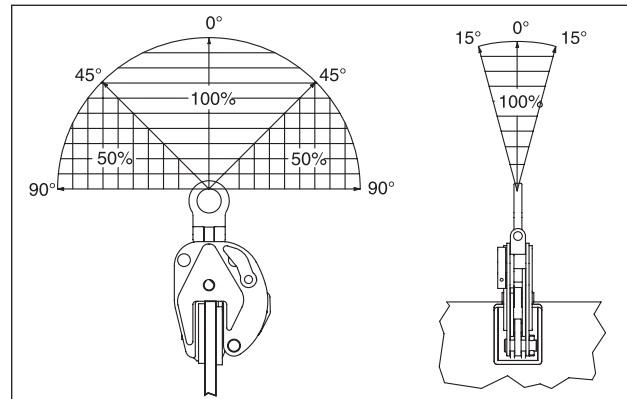
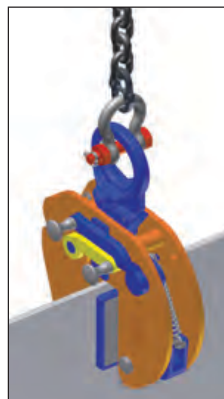
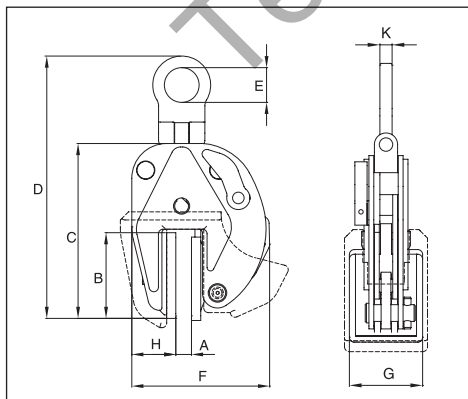


Load Rated®

Model IPNM10

Model	Working Load Limit (t)*	IPNM10 Stock No.	Weight Each (kg)	Dimensions (mm)								
				Jaw A	B	C	D	E	F	G	H	K
IPNM10N	.5	2703811	2.7	0 - 10	84	159	235	40	128	60	41	11
IPNM10N	1	2703738	4.4	0 - 20	97	209	278	40	184	80	56	11
IPNM10	2	2703442	14.5	0 - 40	153	258	396	70	296	100	161	16
With protection cap												
IPNM10P	.5	2703278	2.8	0 - 10	82	157	221	40	145	68	48	11
IPNM10P	1	2703279	4.5	0 - 20	97	195	276	40	205	82	66	11
With larger jaw opening												
IPNM10NJ	1	2703814	4.7	20 - 37	97	220	321	40	200	80	56	11
IPNM10NJ1	1	2703819	5.5	0 - 25	97	238	351	40	213	80	63	11

* Design Factor based on EN 13155 and ASME B30.20.



Vertical Clamps

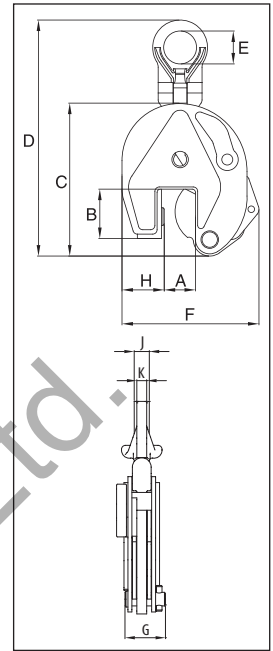


IPU10A

The IPU10A automatically clicks on to the material as soon as the clamp is placed on the plate. The fact that the safety lock remains in position as the clamp closes precludes hazardous situations. Fastening the IPU10A clamp in places that are difficult to reach is no problem

For vertical transport of plates

- Available in capacities of 1 and 2 metric tons.
- Jaw openings available: 0 to 50mm.
- Welded alloy steel body for strength and smaller size. Forged alloy components where required.
- Individually Proof Tested to 2 times the Working Load Limit with certification
- Company name (CrosbyIP), logo, Working Load Limit and jaw opening permanently stamped on body.
- Each product is individually serialized, with the serial number and Proof Load test date stamped on body. User manual with test certificate is included with each clamp.
- Full 180° turning range for material transfer, turning or moving.
- Lock open, lock closed ability with latch for pretension on material and then release of material.
- Optional IP-5000 Stinger assembly available (see page 428). Allows for easy connection between the clamp and hoist hook.
- Minimum WLL of 10% of Maximum WLL.
- Maintenance and repair kits are available.
- For use with materials with a plate surface hardness to 279HV10, only 5% min WLL is need.
- Manufactured by an ISO 9001 facility.
- All sizes are **RFID EQUIPPED**.

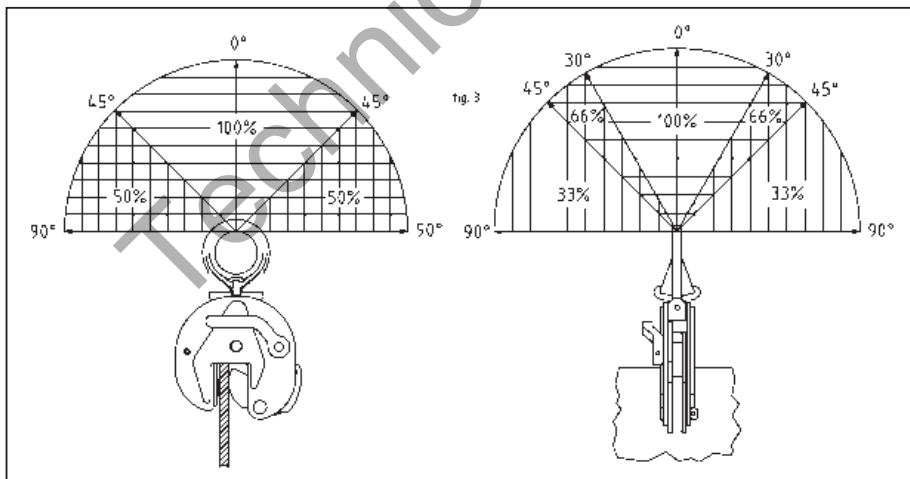


Load Rated®

Model IPU10A

Model	Working Load Limit (t)*	IPU10A Stock No.	Weight Each (kg)	Dimensions (mm)									
				Jaw A	B	C	D	E	F	G	H	J	K
IPU10A	1	2701628	2.3	0 - 20	45	139	225	40	127	42	38	-	11
IPU10A	2	2701629	8.4	0 - 35	78	201	368	70	188	64	55	-	16
IPU10A	6	2701629	25.4	0 - 50	126	302	525	80	292	84	95	44	20

* Design Factor based on EN 13155 and ASME B30.20.

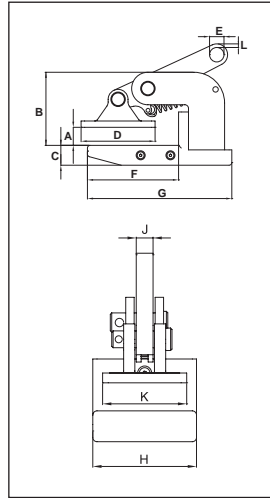


Crosby Lifting Clamps



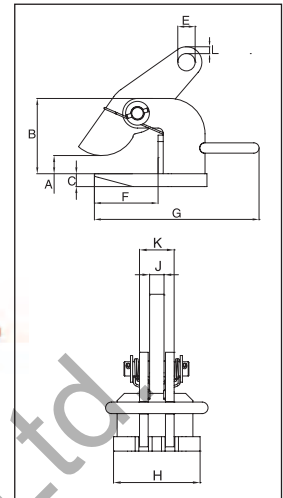
IPHNM10

The IPHNM10 horizontal lifting clamps have a pretension feature that allows the user to attach the clamps to the material for horizontal lifting and transfer of non-sagging material. To be used where material surface must not be damaged. These clamps must be used in pairs or more.



IPH10

The IPH10 horizontal lifting clamps with spring loaded tension have a pretension feature that allows the user to attach the clamps to the material for horizontal lifting and transfer of non-sagging material. These clamps must be used in pairs or more.



For horizontal lift and transfer with pretension system

- Available in capacities of .5 thru 12 metric tons.
- Jaw openings available: 0 to 120mm.
- Welded alloy steel body for strength and smaller size. Forged alloy components, where required.
- Individually Proof Tested to 2 times the Working Load Limit with certification
- Company name (Crosby/P), logo, Working Load Limit and jaw opening permanently stamped on body.
- Each product is individually serialized, with the serial number and Proof Load test date stamped on body. User manual with test certificate is included with each clamp.
- Maintenance and repair kits are available.
- Manufactured by an ISO 9001 facility.
- All sizes are **RFID EQUIPPED**.



Model IPHNM10

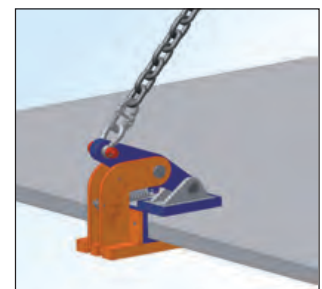
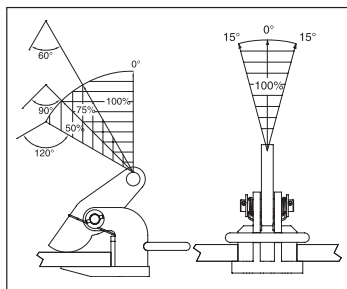
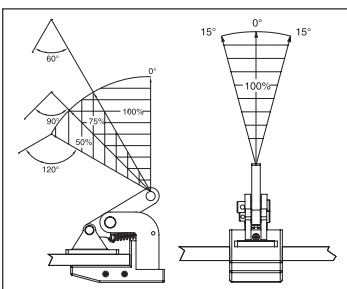
Model	Working Load Limit (Per Pair) (t)*	IPHNM10 Stock No.	Weight Each (kg)	Dimensions (mm)										
				Jaw A	B	C	D	E	F	G	H	J	K	L
IPHNM10	.5	2703287	4.0	0 - 20	81	22	82	16	101	160	74	12	60	4
IPHNM10	1	2703288	7.0	0 - 35	93	30	92	16	103	164	74	12	60	7
IPHNM10	2	2703290	15.0	0 - 30	139	30	131	22	166	245	100	20	74	9
IPHNM10J	2	2703291	16.0	30 - 60	169	30	131	22	166	245	100	20	74	9

* Design Factor based on EN 13155 and ASME B30.20.

Model IPH10 and IPH10J: With Spring Loaded Tension, Magnets and Handle

Model	Working Load Limit (Per Pair) (t)*	IPH10 Stock No.	Weight Each (kg)	Dimensions (mm)										
				Jaw A	B	C	E	F	G	H	J	K	L	
IPH10	.5+	2703297	1.8	0 - 20	86	12	16	103	150	60	12	27	4	
IPH10	1+	2703298	2.5	0 - 35	100	16	16	103	150	60	12	31	7	
IPH10	2	2703522	5.5	0 - 60	117	16	22	109	256	110	20	40	9	
IPH10	3	2703523	7.5	0 - 60	117	20	26	109	266	120	20	48	11	
IPH10	4.5	2703524	10.5	0 - 60	132	25	30	104	280	130	20	48	12	
IPH10	6	2703525	13.0	0 - 60	143	25	36	123	320	130	20	48	14	
IPH10	9	2703526	18.5	0 - 60	157	30	43	133	330	140	25	62	16	
IPH10	12	2703527	21.5	0 - 60	172	30	47	141	353	150	25	62	17	
With larger jaw opening #														
IPH10J	3	2703533	18.0	60 - 120	177	20	26	109	266	120	20	48	9	
IPH10J	4.5	2703534	24.0	60 - 120	192	25	30	104	280	130	20	48	11	
IPH10J	6	2703535	30.0	60 - 120	203	25	36	123	320	130	20	48	12	
IPH10J	9	2703536	41.0	60 - 120	217	30	43	133	330	140	25	62	14	
IPH10J	12	2703537	41.0	60 - 120	232	30	47	141	353	150	25	62	16	

* Design Factor based on EN 13155 and ASME B30.20. + No handle or magnets. # Larger Working Load Limits available.



Horizontal Clamps

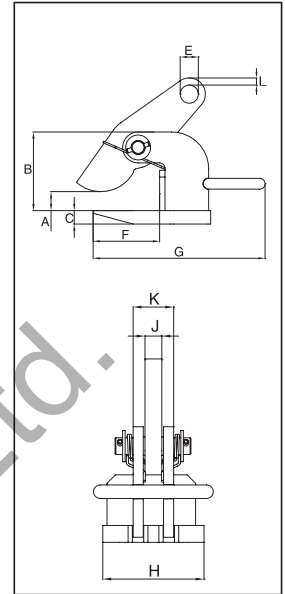


IPH10E

The IPH10E / IPH10JE horizontal lifting clamps are for use in the lifting and transfer in horizontal position of non-sagging materials or of bundles of non-sagging material. These clamps must be used in pairs or more.

For horizontal lifting and transfer

- Available in capacities of 2.0 thru 25 metric tons.
- Wide variety of jaw openings available: 0 to 120mm.
- Welded alloy steel body for strength and smaller size. Forged alloy, components where required.
- Equipped with handle for easy placement.
- Individually Proof Tested to 2 times the Working Load Limit with certification.
- Company name (CrosbyIP), logo, Working Load Limit and jaw opening permanently stamped on body.
- Each product is individually serialized, with the serial number and Proof Load test date stamped on body. User manual with test certificate is include with each clamp.
- Maintenance and repair kits are available.
- Manufactured by an ISO 9001 facility.
- All sizes are **RFID EQUIPPED**.



Model IPH10E: Jaw opening range 0 to 60mm

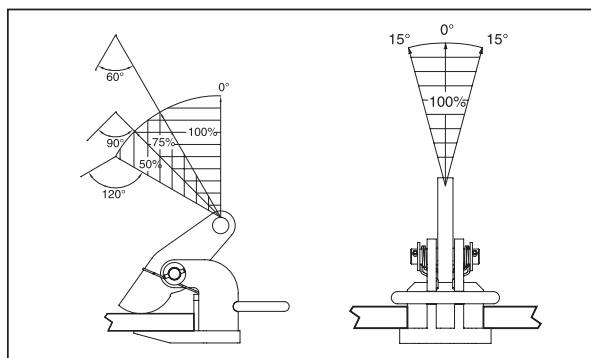
Model	Working Load Limit (Per Pair) (t)*	IPH10E Stock No.	Weight Each (kg)	Dimensions (mm)									
				Jaw A	B	C	E	F	G	H	J	K	L
IPH10E	2	2703542	5.50	0 - 60	117	16	22	109	256	110	20	40	9
IPH10E	3	2703543	7.50	0 - 60	117	20	26	109	266	120	20	48	11
IPH10E	4.5	2703544	10.5	0 - 60	132	25	30	104	280	130	20	48	12
IPH10E	6	2703545	13	0 - 60	143	25	36	123	320	130	20	48	14
IPH10E	9	2703546	18.5	0 - 60	157	30	43	133	330	140	25	62	16
IPH10E	12	2703547	21.5	0 - 60	172	30	47	141	353	150	25	62	17
IPHTOZ	25	2705119	39	0 - 60	169	40	47	164	300	220	32	88	-

* Design Factor based on EN 13155 and ASME B30.20.

Model IPH10JE: Jaw opening range 60 to 120mm

Model	Working Load Limit (Per Pair) (t)*	IPH10JE Stock No.	Weight Each (kg)	Dimensions (mm)									
				Jaw A	B	C	E	F	G	H	J	K	L
IPH10JE	3	2703553	18	60 - 120	177	20	26	109	266	120	20	48	11
IPH10JE	4.5	2703554	24	60 - 120	192	25	30	104	280	130	20	48	12
IPH10JE	6	2703555	30	60 - 120	203	25	36	123	320	130	20	48	14
IPH10JE	9	2703556	41	60 - 120	217	30	43	133	330	140	25	62	16
IPH10JE	12	2703557	48	60 - 120	232	30	47	141	353	150	25	62	17

* Design Factor based on EN 13155 and ASME B30.20.



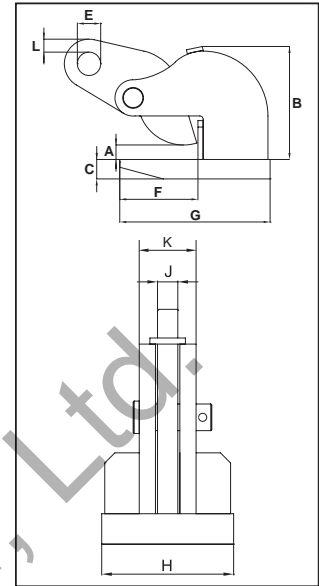


IPHOZ

The IPHOZ horizontal lifting clamp is to be used for lifting and transferring, in the horizontal position, of thin sheet and other materials that will sag or bend when lifted. These clamps must be used in pairs or more.

For horizontal lifting and transfer

- Available in capacities of .75 thru 15 metric tons.
- Wide variety of jaw openings available: 0 to 60mm.
- Welded alloy steel body for strength and smaller size. Forged alloy components, where required.
- Equipped with handle for easy placement.
- Individually Proof Tested to 2 times the Working Load Limit with certification.
- Company name (CrosbyIP), logo, Working Load Limit and jaw opening permanently stamped on body.
- Each product is individually serialized, with the serial number and Proof Load test date stamped on body. User manual with test certificate is included with each clamp.
- Maintenance and repair kits are available.
- Manufactured by an ISO 9001 facility.
- All sizes are **RFID EQUIPPED**.

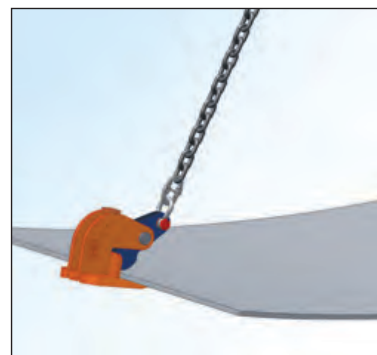
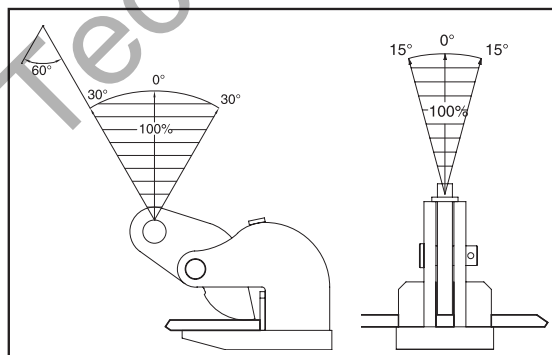


Load Rated

Model IPHOZ: Jaw opening range 0 to 60mm

Model	Working Load Limit (Per Pair) (t)*	IPHOZ Stock No.	Weight Each (kg)	Dimensions (mm)									
				Jaw A	B	C	E	F	G	H	J	K	L
IPHOZ	0.75	2705401	3.0	0 - 30	94	16	16	70	118	81	12	31	12
IPHOZ	1.5	2705402	5.5	0 - 45	133	16	22	125	192	100	16	36	12
IPHOZ	3	2705403	8.0	0 - 45	137	20	26	125	200	120	20	48	10
IPHOZ	4.5	2705404	8.5	0 - 45	138	25	30	126	220	120	20	50	10
IPHOZ	6	2705405	16.0	0 - 60	171	30	36	135	235	130	20	56	20
IPHOZ	9	2705406	20.0	0 - 60	211	30	43	166	276	160	25	62	20
IPHOZ	12	2705407	28.0	0 - 60	217	40	47	168	294	190	25	62	19
IPHOZ	15	2705408	36.0	0 - 60	220	40	47	183	317	250	25	62	22

* Design Factor based on EN 13155 and ASME B30.20.



Horizontal Clamps



IPBC

The IPBC horizontal lifting clamps have a pretension feature that allows the user to attach the clamps to the material for horizontal lifting and transfer of sagging and non-sagging material. These clamps may also be used to handle material that will be used in shears, bending and rolling machines or other fabrication equipment. May also be used for turning beams from the "H" into the "I" position.

For horizontal transfer - with pretension system

- Available in capacities of 1 thru 4.5 metric tons.
- Jaw openings available: 0 to 40mm.
- Welded alloy steel body for strength and smaller size. Forged alloy components, where required.
- Individually Proof Tested to 2 times the Working Load Limit with certpermanently stamped on body.
- Each product is individually serialized, with the serial number and Proof Load test date stamped on body. User manual with test certificate is included with each clamp
- Maintenance and repair kits are available.
- Manufactured by an ISO 9001 facility.
- All sizes are **RFID EQUIPPED**.



IPHGUZ

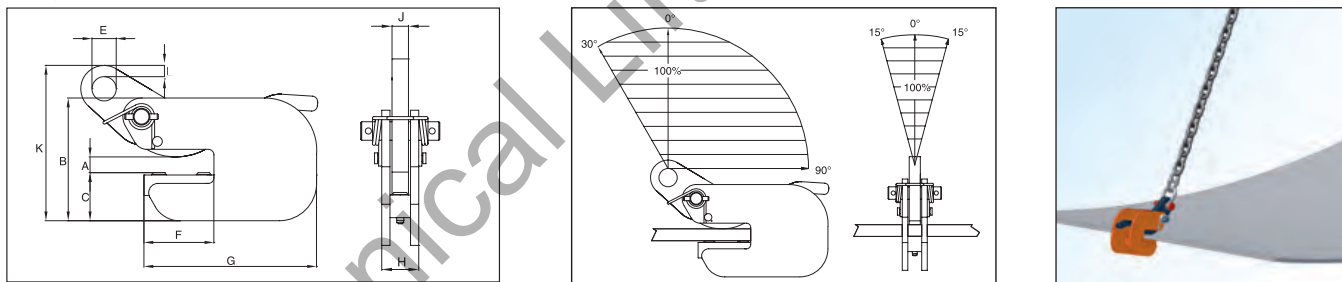
The IPHGZ, IPHGUZ horizontal lifting clamps have a pretension locking feature that allows the user to attach the clamps to the material for horizontal lifting and transfer of sagging and non-sagging material. These clamps may also be used to handle material that will be used in shears, bending and rolling machines or other fabrication equipment. May also be used to move and lift structural shapes such as I-Beams, H-beams etc.



Model IPBC

Model	Working Load Limit (t)*	IPBC Stock No.	Weight Each (kg)	Dimensions (mm)									
				Jaw A	B	C	E	F	G	H	J	K	L
IPBC	1	2700410	3.5	0 - 20	132	52	26	75	185	36	16	182	12
IPBC	2	2700411	6.5	0 - 25	152	62	30	82	210	49	20	218	15
IPBC	3	2700412	8.5	0 - 25	157	66	30	82	210	57	20	225	15

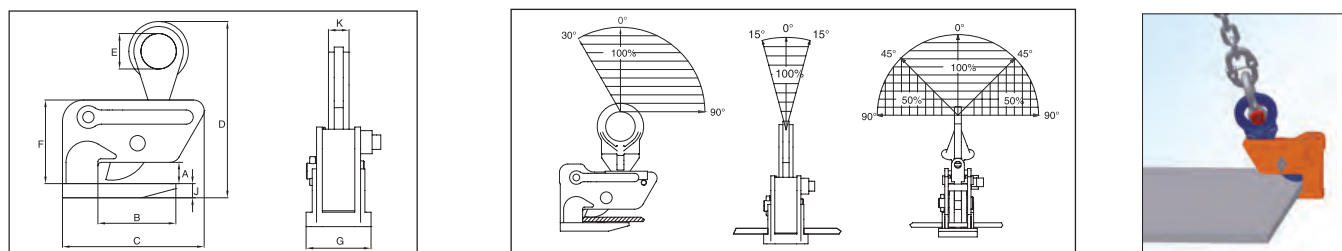
* Design Factor based on EN 13155 and ASME B30.20.



Model IPHGUZ: Universal Lifting Eye / Model IPHGZ: Fixed Hoisting Eye

Model	Working Load Limit (t)*	IPHGUZ Stock No.	Weight Each (kg)	Dimensions (mm)									
				Jaw A	B	C	D	E	F	G	J	K	
IPHGUZ	1.5	2705455	9.0	0 - 25	110	232	287	70	139	90	20	16	
IPHGUZ	3.0	2705456	19.9	0 - 40	119	253	348	75	175	120	25	20	
IPHGUZ	4.5	2705457	30.0	0 - 40	119	301	370	80	175	155	30	44	
Fixed Hoisting Eye													
IPHGZ	.75	2705451	4.0	0 - 25	82	148	206	50	99	98	12	22	
IPHGZ	1.5	2705452	7.3	0 - 25	110	200	250	50	118	90	20	28	
IPHGZ	3.0	2705453	12.3	0 - 40	120	227	305	70	148	120	25	32	
IPHGZ	4.5	2705454	25.0	0 - 40	120	284	381	70	181	155	30	40	

* Design Factor based on EN 13155 and ASME B30.20.





IPPE10B(E)

The IPPE10 type clamp is suitable for lifting and transferring bundles of non-bendable sheets of metal in a horizontal position. The jaw opening can be easily adjusted for the height of the bundle or plate. The IPPE10 has magnets in the footplate. This allows one person to operate multiple clamps at the same time when lifting loads.

For lifting and transporting non-bendable sheet metal in a horizontal position.

- Available in capacities of 3 thru 12 metric tons.
- Wide variety of jaw openings available: 0 to 180mm
- Welded alloy steel body for strength and smaller size. Forged alloy components, where required.
- Individually Proof Tested to 2 times the Working Load Limit with certification.
- Company name (CrosbyIP), logo, Working Load Limit and jaw opening permanently stamped on body.
- Each product is individually serialized, with the serial number and Proof Load test date stamped on body. User manual with test certificate is included with each clamp
- Maintenance and repair kits are available.
- Manufactured by an ISO 9001 facility.
- All sizes are **RFID EQUIPPED**.
- IPPE10B: Magnets in foot plate (also applies for D and H Type).
- IPPE10BE: Economic version (also applies for D and H-Type).
- IPPE10BNM: Non-marring (also applies for D and H-Type).



IPPE10BNM

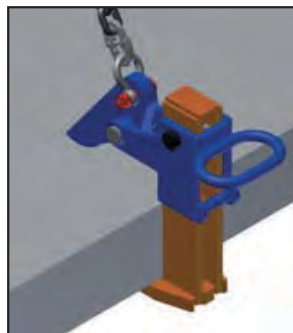
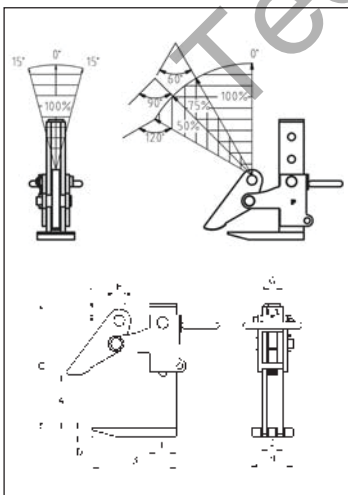
The IPPE10BNM lifting clamps may be used for virtually all applications, where the objects that are to be lifted or transported require optimal protection against surface damage. This also applies to materials with a very smooth surface, composites, plates with a protective cover or hard surface plates. These clamps have to be used in pairs.



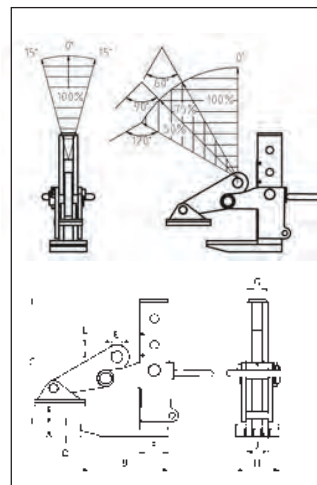
Model IPPE10B / IPPE10BE / IPPE10BNM

Model	IPPE Stock No.	Working Load Limit (Per Pair) (t)*	Weight Each (Per Pair) (kg)	Dimensions (mm)									
				Jaw A	B	C	D	E	F	G	H	J	L
3 IPPE10B	2703862	3.0	23.0	0-180	204	322	20	26	66	20	100	50	15
6 IPPE10B	2703871	6.0	32.6	0-180	220	340	25	30	74	20	140	60	13
9 IPPE10B	2703888	9.0	49.6	0-180	248	365	25	34	90	20	190	70	13
12 IPPE10B	2703921	12.0	65.4	0-180	252	376	30	40	90	25	200	70	18
3 IPPE10BE	2703863	3.0	43.0	0-180	204	322	20	26	66	20	100	50	15
6 IPPE10BE	2703870	6.0	32.6	0-180	220	340	25	30	74	20	140	60	13
9 IPPE10BE	2703891	9.0	49.6	0-180	248	365	25	34	90	20	190	70	13
12 IPPE10BE	2703924	12.0	65.4	0-180	262	376	30	40	90	25	200	70	18
3 IPPE10BNM	2703864	3.0	24.8	0-180	204	322	30	26	68	20	100	50	15
6 IPPE10BNM	2703872	6.0	34.6	0-180	220	340	35	30	76	20	140	60	13
9 IPPE10BNM	2703894	9.0	55.4	0-180	248	365	35	34	92	20	190	70	13
12 IPPE10BNM	2703927	12.0	70.4	0-180	262	376	40	40	92	25	200	70	15

* Design Factor based on EN 13155 and ASME B30.20. Also available in D-Type (maximum jaw opening of 300mm) and H-Type (maximum jaw opening of 420mm).



IPPE10(E)



IPPE10NM

Beam Clamps



IPBK10

The IPBK10 beam clamp is used for lifting, transferring and stacking H-Beams. A ring-center hoist eye allows for the beam flange to remain vertical. This series of clamps can be used in vertical and horizontal moving, transferring and stacking of different types of structural designs, such as H-Beams, angles, etc, depending on the application desired.

For the transfer and stacking of steel beams

- IPVUZ / IPVZ: Available in capacities of 0.75 thru 1.5 metric tons.
- IPVUZ / IPVZ: Jaw openings available: 0 to 20mm
- IPBK10: Available in capacities of 0.5 thru 4 metric tons.
- IPBK10: Jaw openings available: 5 to 28mm
- Welded alloy steel body for strength and smaller size. Forged alloy components, where required.
- Individually Proof Tested to 2 times the Working Load Limit with certification.
- Company name (CrosbyIP), logo, Working Load Limit and jaw opening permanently stamped on body.
- Each product is individually serialized, with the serial number and Proof Load test date stamped on body. User manual with test certificate is included with each clamp.
- Optional IP-5000 Stinger assembly available (see page 428). Allows for easy connection between the clamp and hoist hook.
- Minimum WLL of 10% of Maximum WLL.
- Maintenance and repair kits are available.
- For use with materials with a plate surface hardness to 279HV10, only 5% min WLL is needed.
- Manufactured by an ISO 9001 facility.
- All sizes are **RFID EQUIPPED**.



IPVUZ

The IPVZ / IPVUZ beam clamp is used for vertical lift and transfer of angle iron and other loads that have only a small gripping area for the clamp ("U" has universal hoisting eye). This series of clamps can be used in vertical and horizontal moving, transferring and stacking of different types of structural designs, such as H-beams, angles, etc, depending on the application desired.

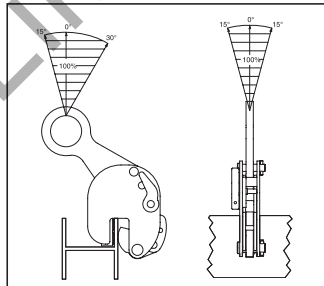
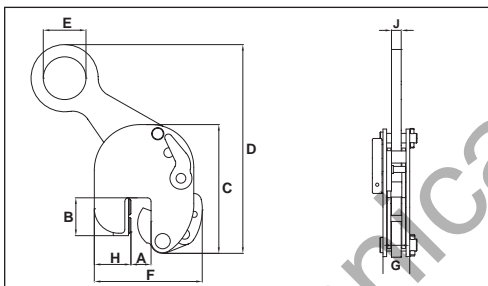


Load Rated

Model IPBK10

Model	Working Load Limit (t)*	IPBK10 Stock No.	Weight Each (kg)	Dimensions (mm)								
				Jaw A	B	C	D	E	F	G	H	J
0,5 IPBK10	0.5	2703931	2.4	5-15	43	134	216	45	120	48	45	10
1 IPBK10	1.0	2703837	2.6	5-15	43	152	230	45	123	47	45	10
2 IPBK10	2.0	2703838	7.3	5-25	62	223	341	70	198	61	70	16
4 IPBK10	4.0	2703839	16.9	5-28	75	282	431	100	232	78	72	20

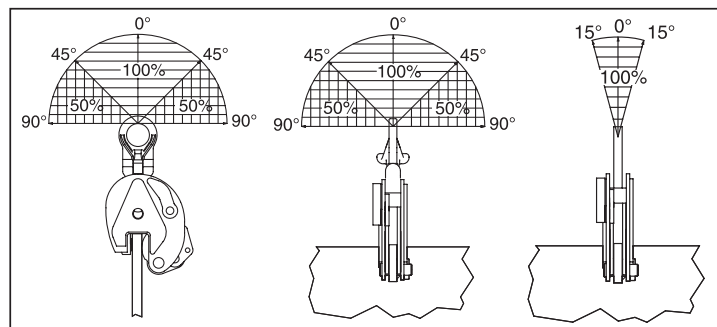
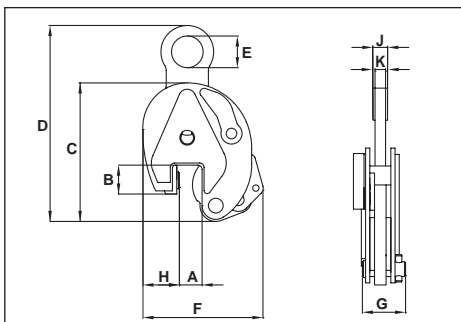
* Design Factor based on EN 13155 and ASME B30.20.



Model IPVUZ: Universal Hoisting Eye / Model IPVZ: Fixed Hoisting Eye

Model	Working Load Limit (t)*	IPUZ Stock No.	Weight Each (kg)	Dimensions (mm)								
				Jaw A	B	C	D	E	F	G	H	K
IPVUZ	0.75	2705146	1.8	0 - 15	26	130	216	40	115	42	30	11
IPVUZ	1.5	2705147	6.9	0 - 20	55	200	378	70	200	61	64	16
Fixed Hoisting Eye												
IPVZ	0.75	2705096	2.1	0 - 15	26	130	203	40	115	42	30	11
IPVZ	1.5	2705097	5.9	0 - 20	55	200	339	70	180	61	64	16

* Design Factor based on EN 13155 and ASME B30.20.





IPBHZ

The IPBHZ beam clamp is used for horizontal lifting and transferring of steel beams. The base is slotted to allow the clamps to be used from end of beams as well as from the flange. This series of clamps can be used in vertical and horizontal moving, transferring and stacking of different types of structural designs, such as I-Beams, H-beams, angles, etc., depending on the application desired.

For the lifting and transfer of steel beams

- IPBHZ: Available in capacities of .75 thru 12 metric tons.
- IPBHZ: Wide variety of jaw openings available: 0 to 40mm.
- IPBSNZ: Available in capacities of 1.5 thru 4.5 metric tons.
- IPBSNZ: Wide variety of jaw openings available: 0 to 50mm.
- Welded alloy steel body for strength and smaller size. Forged alloy components, where required.
- Individually Proof Tested to 2 times the Working Load Limit with certification.
- Company name (CrosbyIP), logo, Working Load Limit and jaw opening permanently stamped on body.
- Each product is individually serialized, with the serial number and Proof Load test date stamped on body. User manual with test certificate is included with each clamp.
- Optional IP-5000 Stinger assembly available (see page 428). Allows for easy connection between the clamp and hoist hook.
- Minimum WLL of 10% of Maximum WLL.
- Maintenance and repair kits are available.
- Manufactured by an ISO 9001 facility.
- All sizes are RFID EQUIPPED.



IPBSNZ

The IPBSNZ beam clamp is used for lifting, transferring and stacking. Offset hoisting eye allows for level lifts of I-Beams. Also for lifting fabrications and ship sections. This series of clamps can be used in vertical and horizontal moving, transferring and stacking of different types of structural designs, such as I-Beams, depending on the application desired.

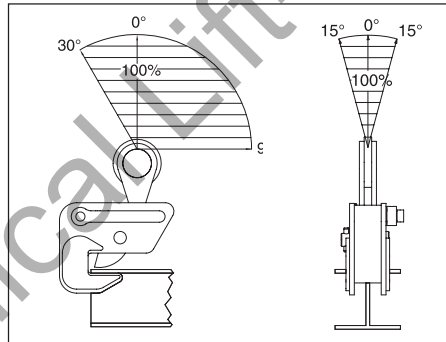
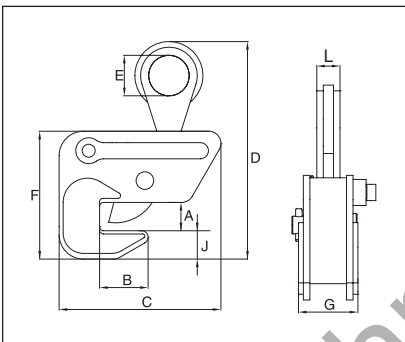


Load Rated

Model IPBHZ

Model	Working Load Limit (t)*	IPBHZ Stock No.	Weight Each (kg)	Dimensions (mm)								
				Jaw A	B	C	D	E	F	G	J	L
IPBHZ	.75	2705461	3.0	0 - 25	40	148	220	50	130	69	33	22
IPBHZ	1.5	2705462	6.0	0 - 25	60	203	255	50	158	73	35	28
IPBHZ	3	2705463	10.5	0 - 40	80	227	325	70	188	112	38	32
IPBHZ	4.5	2705464	25.0	0 - 40	112	284	413	70	251	116	80	40
IPBHZ	12	2705467	42.3	0 - 40	125	466	490	90	317	90	90	47

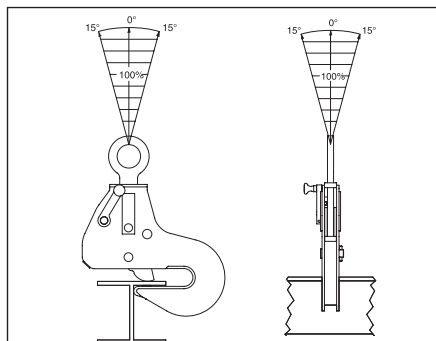
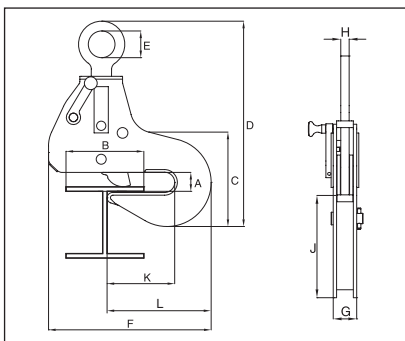
* Design Factor based on EN 13155 and ASME B30.20.



Model IPBSNZ

Model	Working Load Limit (t)*	IPBSNZ Stock No.	Weight Each (kg)	Dimensions (mm)										
				Jaw A	B	C	D	E	F	G	H	J	K	L
IPBSNZ	1.5	2705925	14.0	0 - 32	100 - 270	304	480	70	319	47	16	165	148	240
IPBSNZ	3	2705926	22.0	0 - 40	100 - 330	352	494	75	408	56	20	207	182	260
IPBSNZ	4.5	2705927	30.5	0 - 50	100 - 360	420	630	75	457	56	20	250	188	293

* Design Factor based on EN 13155 and ASME B30.20.



Beam Clamps

For transferring steel beams and attaching tackle eye

- Available in capacities of 2 thru 25 metric tons.
- Wide variety of jaw openings available: 75 to 1020mm.
- Welded alloy steel body for strength and smaller size. Forged alloy components, where required.
- Individually Proof Tested to 2 times the Working Load Limit with certification.
- Company name (CrosbyIP), logo, Working Load Limit and jaw opening permanently stamped on body.
- Each product is individually serialized, with the serial number and Proof Load test date stamped on body. User manual with test certificate is included with each clamp.
- Maintenance and repair kits are available.
- Manufactured by an ISO 9001 facility.
- All sizes are **RFID EQUIPPED**.

IPTK

This IPTK series beam clamp is suitable for use as a temporary tackle eye for a beam.



IPTKU

The IPTKU series beam clamp has an improved hinged hoisting eye that increases the loading angles and an optional new "Double Locking Device".



IPTKW

The IPTKW series beam clamp is suitable for use as a temporary tackle eye for a beam.



Load Rated

IPTKUM

This anchor clamp is suitable as an anchor device for one person, with a personal fall arrest (sherdalised and with double locking) system.



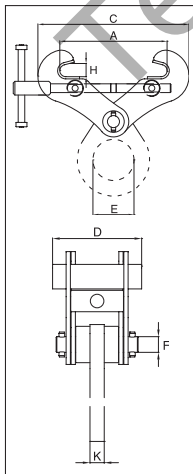
IPTK: with hoisting eye / IPTKW: without hoisting eye

IPTKU: with hinged hoisting eye / IPTKUD: with double locking device

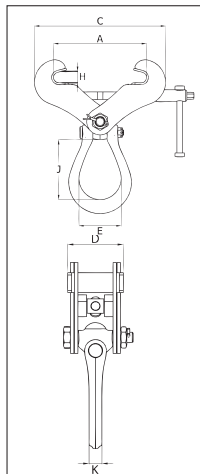
IPTKUM: Suitable as anchor device for personnel fall arrest equipment

Model	Working Load Limit (t)*	Stock No.	Weight Each (kg)	Dimensions (mm)								
				Jaw A	C	D	E	F	H	J	K	
IPTK	2	2700996	6.0	75 - 190	A + 80	125	75	-	25	-	20	
IPTK	3	2700997	6.5	75 - 190	A + 80	125	75	-	25	-	20	
IPTK	4	2700998	8.5	150 - 280	A + 100	125	75	-	35	-	20	
IPTK	5	2700994	11.0	120 - 350	A + 195	125	75	-	40	-	20	
IPTK	25	2702999	225	450 - 1020	A + 220	500	125	-	76	-	45	
Without Hoisting Eye												
IPTKW	2	2700966	4.0	75 - 190	A + 80	125	-	28	25	-	-	
IPTKW	3	2700967	4.5	75 - 190	A + 80	125	-	28	25	-	-	
IPTKW	4	2700968	6.3	150 - 280	A + 100	125	-	33	35	-	-	
IPTKW	5	2700969	8.8	120 - 350	A + 195	125	-	33	40	-	-	
With Improved Hinged Hoisting Eye												
IPTKU	2	2707996	5.7	75 - 190	A + 100	121	76	-	22	99	19	
IPTKU	3	2707997	6.4	75 - 190	A + 100	121	89	-	22	122	22	
IPTKU	4	2707998	12.1	120 - 280	A + 150	140	89	-	40	122	22	
IPTKU	5	2707994	14.5	120 - 350	A + 175	140	89	-	40	122	22	
IPTKU	10	2707970	41.0	200 - 460	A + 300	200	105	-	60	152	26	
Suitable as anchor device for personnel fall arrest equipment - standard according to EN 795												
IPTKUM	1	2709991	6	75 - 190	A + 100	165	76	-	22	99	19	
With Double Locking Device												
IPTKUD	2	2709996	6.0	75 - 190	A + 100	165	76	-	22	99	19	
IPTKUD	3	2709993	6.6	75 - 190	A + 100	165	89	-	22	122	22	
IPTKUD	4	2709995	12.3	120 - 280	A + 150	185	89	-	40	122	22	
IPTKUD	5	2709994	15.3	120 - 350	A + 175	185	89	-	40	122	22	
IPTKUD	10	2709970	43.0	200 - 460	A + 300	215	105	-	60	152	26	

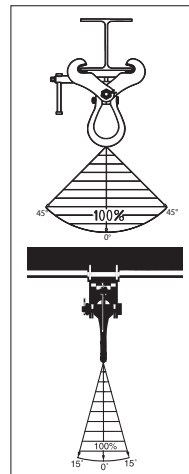
* Design Factor based on EN 13155 and ASME B30.20.



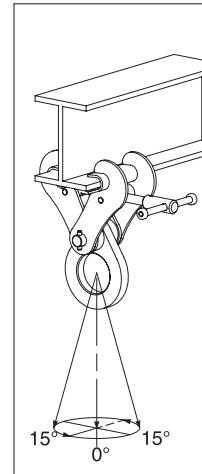
IPTK/IPTKW



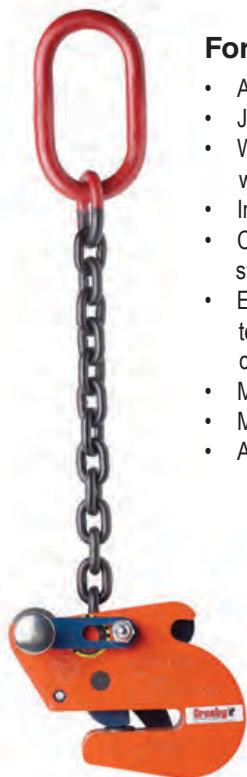
IPTKU(D)(M)



IPTKU(D)



IPTK

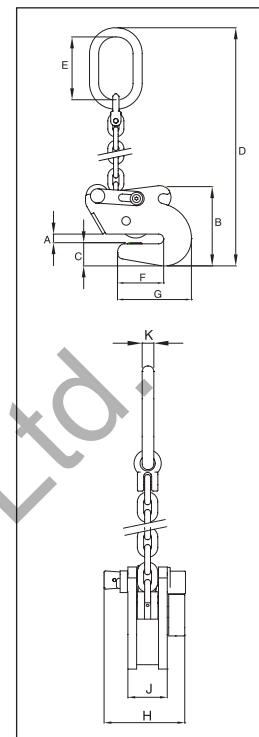


For controlled tilting and transferring of steel beams

- Available in capacities of 1.5 and 2.5 metric tons.
- Jaw openings available: 6 to 20mm.
- Welded alloy steel body for strength and smaller size. Forged alloy components, where required.
- Individually Proof Tested to 2 times the Working Load Limit with certification.
- Company name (CrosbyIP), logo, Working Load Limit and jaw opening permanently stamped on body.
- Each product is individually serialized, with the serial number and Proof Load test date stamped on body. User manual with test certificate is include with each clamp.
- Maintenance and repair kits are available.
- Manufactured by an ISO 9001 facility.
- All sizes are **RFID EQUIPPED**.

IPSTARTEC11

The IPSTARTEC11 beam clamp has been specially developed for lifting with the body in vertical position, controlled tilting, transportation and stacking of steel "H" and "I" profiles. By placing the chain guide in the appropriate position, it is easy to switch from lifting to tilting and back again, which shifts the center of gravity.

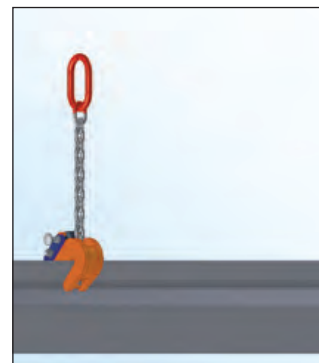
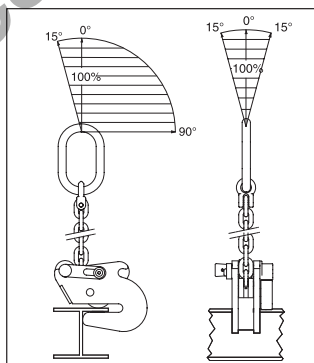


Load Rated®

Model IPSTARTEC11

Model	Working Load Limit (t)*	IPSTARTEC11 Stock No.	Weight Each (kg)	Dimensions (mm)									
				Jaw A	B	C	D	E	F	G	H	J	K
IPSTARTEC11	1.5	2701812	6.6	6 - 12	140	39	575	110	81	129	54	126	16
IPSTARTEC11	2.5	2701822	14.5	6 - 20	210	55	725	135	115	182	74	140	18

* Design Factor based on EN 13155 and ASME B30.20.



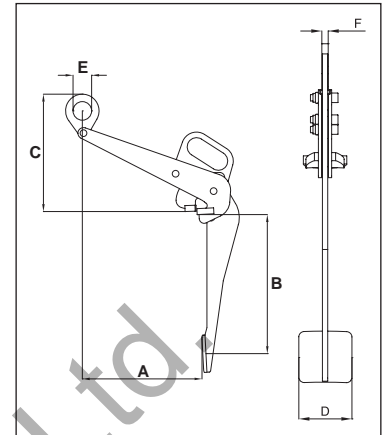
Drum Clamps



IPDV
The IPDV drum clamp is for vertical lift and transfer. Allows drum to remain in an upright position during the lift and transfer using one clamp.

Designed to lift, move and transfer 50-55 gallon drums with steel tops

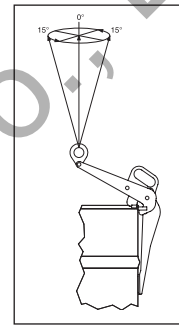
- Available in capacity of .5 metric tons.
- Jaw openings available: IPDV - 300mm and IPVK - 17mm.
- Welded alloy steel body for strength and smaller size. Forged alloy components, where required.
- Individually Proof Tested to 2 times the Working Load Limit with certification
- Company name (CrosbyIP), logo, Working Load Limit and jaw opening permanently stamped on body.
- Each product is individually serialized, with the serial number and Proof Load test date stamped on body. User manual with test certificate is included with each clamp
- Maintenance and repair kits are available.
- Manufactured by an ISO 9001 facility.
- IPDV is **RFID EQUIPPED**.



Model IPDV

Model	Working Load Limit (t)*	IPDV Stock No.	Weight Each (kg)	Dimensions (mm)					
				Jaw A	B	C	D	E	F
IPDV	.5	2700118	7.1	300	375	290	100	50	12

* Design Factor based on EN 13155 and ASME B30.20.

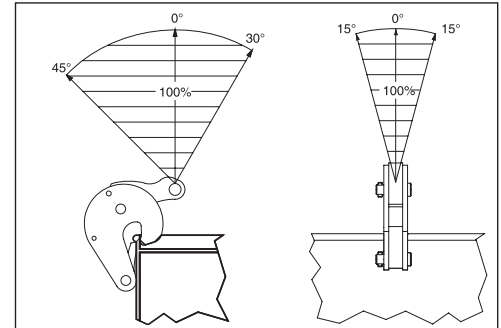
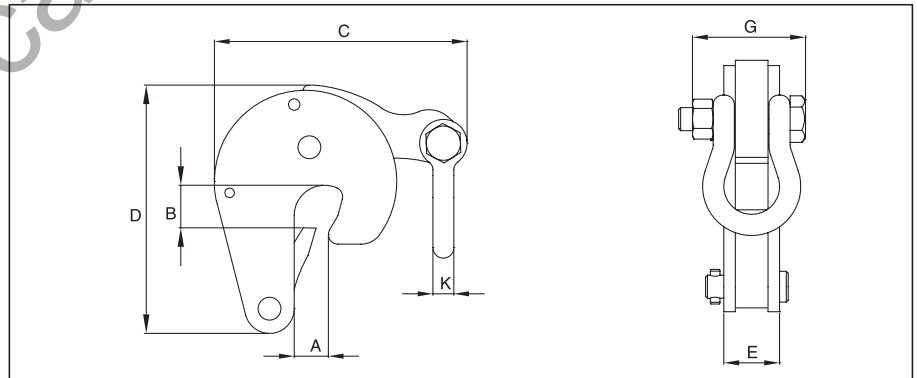


IPVK
The IPVK drum clamp is for vertical lift and transfer. Automatically locks on drum, and can be used alone or in pairs.

Model IPVK

Model	Working Load Limit (t)*	IPVK Stock No.	Weight Each (kg)	Dimensions (mm)						
				Jaw A	B	C	D	E	G	K
IPVK	.5	2700116	1.6	0 - 17	26	135	132	29	51	11

* Design Factor based on EN 13155 and ASME B30.20.



Crosby Lifting Clamps

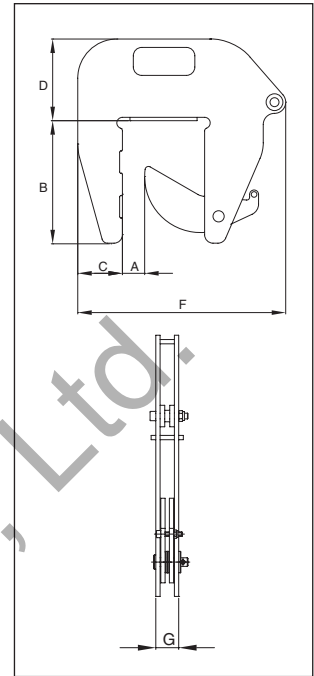


IPCC

The IPCC is suitable for the vertical lifting and transfer of concrete pipe sections and wells. Very easy application and removal of the clamp thanks to the built-in carrying-grips. Normally used in combination with 7mm chain (not supplied). These clamps must be used in pairs or more.

For lifting and transferring of concrete pipe sections and wells

- Available in capacity of 1 metric tons.
- Jaw opening available: 40 - 140mm.
- Welded alloy steel body for strength and smaller size. Forged alloy components, where required.
- Individually Proof Tested to 2 times the Working Load Limit with certification.
- Company name (CrosbyIP), logo, Working Load Limit and jaw opening permanently stamped on body.
- Each product is individually serialized, with the serial number and Proof Load test date stamped on body. User manual with test certificate is included with each clamp
- Maintenance and repair kits are available.
- Manufactured by an ISO 9001 facility.
- All sizes are **RFID EQUIPPED**.

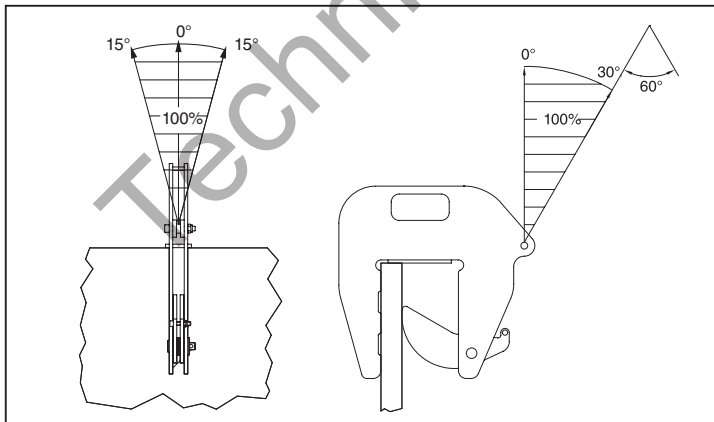


Load Rated®

Model IPCC

Model	IPCC Stock No.	Working Load Limit Per Pair (t)*	Weight Each (kg)	Dimensions (mm)									
				Jaw A	B	C	D	E	F	G	H	J	K
IPCC	2700037	1.0	18.4	40-140	225	80	146	-	372	37	-	-	-

* Design Factor based on EN 13155 and ASME B30.20.



Shipbuilding Clamps: Bulb Profiles

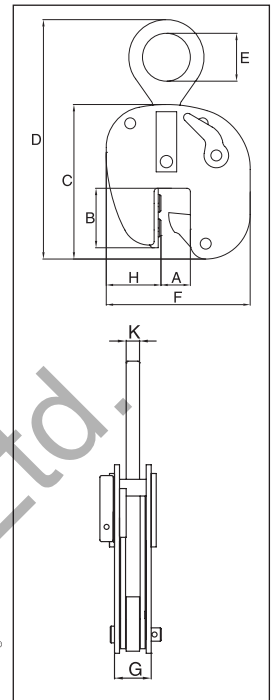


IPBUUZ

The IPBUUZ shipbuilding clamps are used for lifting, transfer ring and placing bulb profiles onto ship s hulls perpendicularly. These clamps are fitted with a locking device for both open and closed positions, which ensures complete reliability. They are to be used exclusively for bulb profiles (not for plates).

For lifting, transferring and placing Bulb Profiles onto ships' hulls perpendicularly

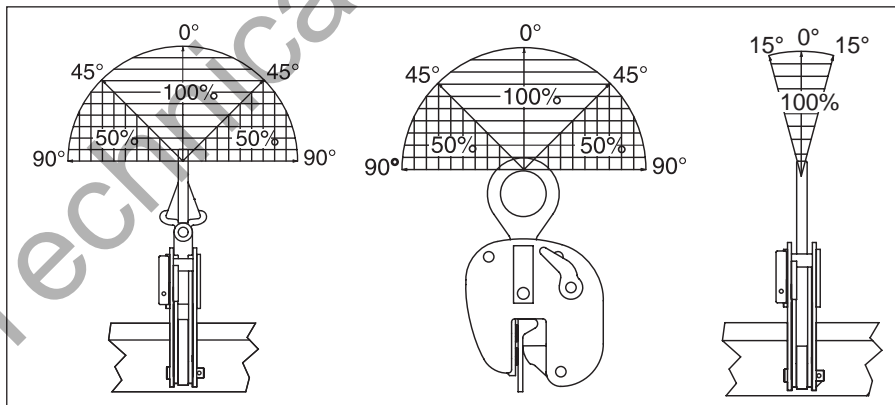
- Available in capacities of .75 thru 3.75 metric tons.
- Jaw openings available: HP 120mm to HP 430mm.
- Welded alloy steel body for strength and smaller size. Forged alloy components, where required.
- Individually Proof Tested to 2 times the Working Load Limit with certification.
- Company name (CrosbyIP), logo, Working Load Limit and jaw opening permanently stamped on body.
- Each product is individually serialized, with the serial number and Proof Load test date stamped on body. User manual with test certificate is included with each clamp.
- Optional IP-5000 Stinger assembly available (see page 428). Allows for easy connection between the clamp and hoist hook.
- Maintenance and repair kits are available.
- Manufactured by an ISO 9001 facility.
- All sizes are **RFID EQUIPPED**.



Model IPBUUZ: with Universal Hoisting Eye Model IPBUZ: with Fixed Hoisting Eye

Model	Working Load Limit (t)*	IPBUZ Stock No.	Weight Each (kg)	Dimensions (mm)								
				Profile A †	B	C	D	E	F	G	H	K
IPBUUZ	.75	2705601	8.5	HP 120-200	85	226	390	70	210	61	70	16
With fixed hoisting eye												
IPBUZ	.75	2705600	7.0	HP 120-200	85	226	390	70	210	61	70	16
IPBUZ	1.5	2705701	15.0	HP 220-430	196	397	568	70	256	69	48	16
IPBUZ	3.75	2705702	29.2	HP 220-430	238	438	565	80	355	64	100	20

* Design Factor based on EN 13155 and ASME B30.20. † Profile A is the type of Holland Bulb (HP) style and size material.



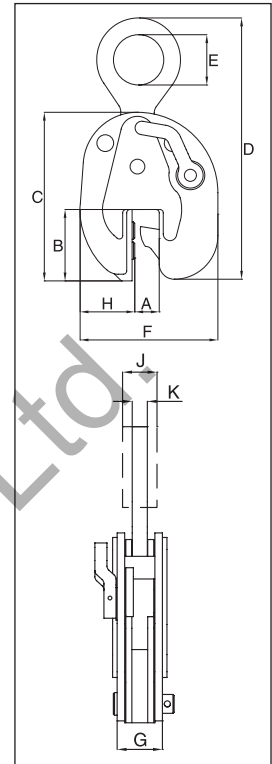


IPSBUUZ

The IPSBU(U)Z shipbuilding clamps are used for the lifting, transfer and placing of complete shipsections. These clamps are fitted with a locking device for both open and closed positions, which ensures complete reliability. They are to be used exclusively for bulb profiles (not for plates).

For lifting, transferring and placing complete shipsections

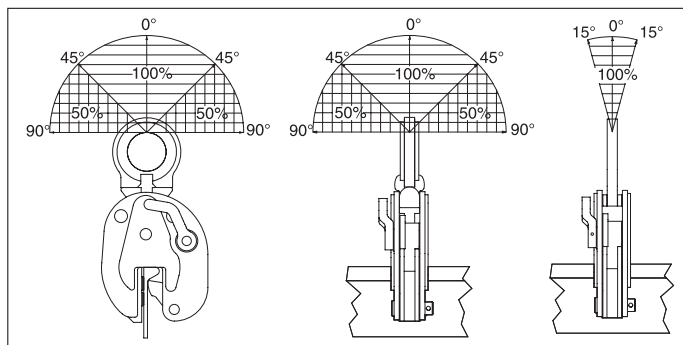
- Available in capacities of 4.5 thru 22.50 metric tons.
- Wide variety of jaw openings available: HP 100mm to HP 430mm.
- Welded alloy steel body for strength and smaller size. Forged alloy components, where required.
- Individually Proof Tested to 2 times the Working Load Limit with certification.
- Company name (CrosbyIP), logo, Working Load Limit and jaw opening permanently stamped on body.
- Each product is individually serialized, with the serial number and Proof Load test date stamped on body User manual with test certificate is included with each clamp.
- Optional IP-5000 Stinger assembly available (see page 428). Allows for easy connection between the clamp and hoist hook.
- Maintenance and repair kits are available.
- Manufactured by an ISO 9001 facility.
- All sizes are **RFID EQUIPPED**.



Model IPSBUUZ and IPSBUSUZ: With Universal Hoisting Eye
Model IPSBUZ and IPSBUSZ: With Fixed Hoisting Eye

Model	Working Load Limit (t)*	IPSBUUZ Stock No.	Weight Each (kg)	Dimensions (mm)									
				Profile A†	B	C	D	E	F	G	H	J	K
IPSBUUZ	4.5	2705771	15.5	HP 100-160	107	252	450	75	206	96	82	36	20
IPSBUUZ	9	2705773	43.0	HP 100-160	105	274	491	80	248	123	104	44	20
IPSBUSUZ	4.5	2705772	38.0	HP 180-430	227	428	635	75	377	95	128	-	20
IPSBUSUZ	9	2705774	69.0	HP 180-430	227	478	718	80	425	118	155	44	25
With fixed hoisting eye													
IPSBUZ	4.5	2705721	13.5	HP 100-160	107	252	382	75	206	96	82	-	20
IPSBUZ	9	2705723	23.0	HP 100-160	105	274	461	80	248	123	104	-	30
IPSBUSZ	4.5	2705722	35.8	HP 180-430	227	428	592	75	377	95	128	-	20
IPSBUSZ	9	2705724	68.0	HP 180-430	227	478	663	80	425	118	155	45	25
IPSBUSZ	15	2705728	64.0	HP 180-430	226	485	690	88	401	100	135	49	25
IPSBUSZ	22.5	2705730	100	HP 180-430	224	543	740	90	470	116	185	-	30

* Design Factor based on EN 13155 and ASME B30.20. † Profile A is the type of Holland Bulb (HP) style and size material.



Shipbuilding Clamps: Bulb Profiles

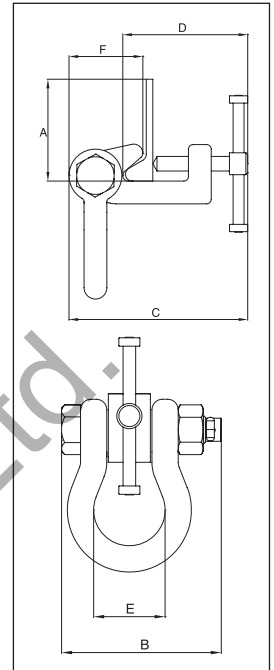


IPBTO10

The IPBTO10 shipbuilding clamp is used as a temporary tackle eye in spaces which have been reinforced with HP (bulb) profiles such as engine rooms and shipsections. This clamp is fitted with a scewed spindle for easy attachment of the clamp. The moment a load is applied, the clamp is automatically fixed.

For use as a temporary tackle eye in spaces that have been reinforced with HP (bulb) profiles such as engine rooms and shipsections.

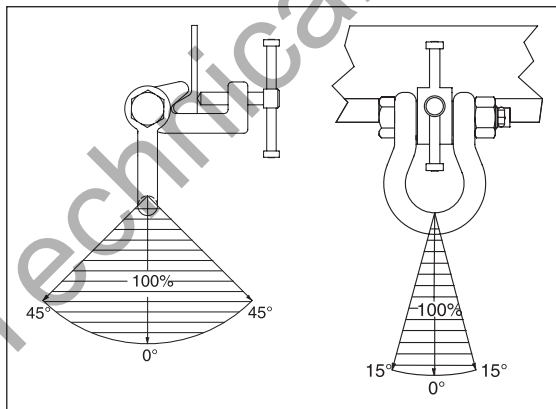
- Available in capacities of 1.5 thru 6 metric tons.
- Wide variety of jaw openings available: HP 160mm to HP 430mm
- Welded alloy steel body for strength and smaller size. Forged alloy components, where required.
- Individually Proof Tested to 2 times the Working Load Limit with certification.
- Company name (CrosbyIP), logo, Working Load Limit and jaw opening permanently stamped on body.
- Each product is individually serialized, with the serial number and Proof Load test date stamped on body. User manual with test certificate is included with each clamp.
- Maintenance and repair kits are available.
- Manufactured by an ISO 9001 facility.



Model IPBTO10

Model	Working Load Limit (t)*	IPBTO10 Stock No.	Weight Each (kg)	Dimensions (mm)					
				Profile A †	B	C	D	E	F
IPBTO10	1.5	2700980	4.3	HP 160-240	137	188-209	129-150	68	81
IPBTO10	3.0	2700986	6.0	HP 240-320	137	188-217	145-174	68	78
IPBTO10	6.0	2700991	13.0	HP 300-430	185	255-297	195-236	82	102

* Design Factor based on EN 13155 and ASME B30.20. † Profile A is the type of Holland Bulb (HP) style and size material.



Crosby Lifting Clamps

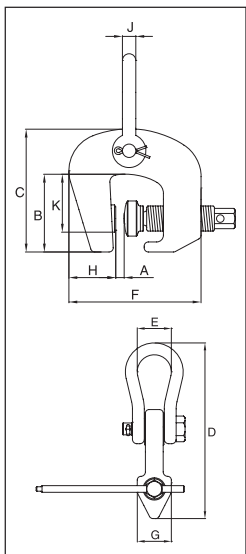


IPSC10

The IPSC10 screw style clamp is for positioning, pulling and turning plates or fabrications.

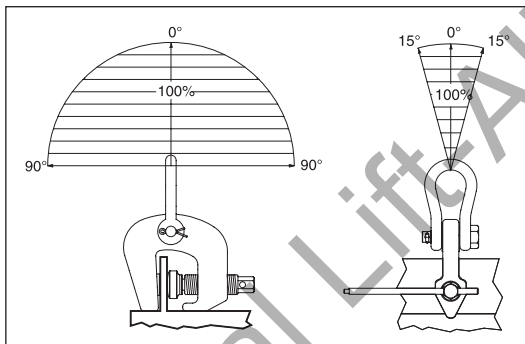
Suitable for use in positioning & turning steel plates and sections. Not to be used as a lifting clamp.

- Available in capacities of 1.5 and 3 metric tons.
- Jaw openings available: 0 to 60mm • 10" to 2 3/8"
- Suitable for steel with a surface hardness up to 300 HV10.
- Forged alloy steel body for strength and smaller size. Forged alloy components, where required.
- Individually Proof Tested to 2 times the Working Load Limit with certification.
- Company name (CrosbyIP), logo, Working Load Limit and jaw opening permanently stamped on body.
- Each product is individually serialized, with the serial number and Proof Load test date stamped on body. User manual with test certificate is included with each clamp
- Maintenance and repair kits are available.
- Manufactured by an ISO 9001 facility.



Model IPSC10

Model	WLL (t)*	IPSC Stock No.	Weight Each (kg)	Dimensions (mm)									
				Jaw A	B	C	D	E	F	G	H	J	K
IPSC10	1.5	2703857	4.6	0 - 40	91	143	251	44	156	50	45	16	65
IPSC10	3.0	2703858	8.4	0 - 60	109	175	310	51	200	62	55	19	83

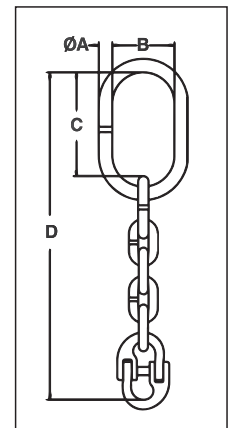


IP5000

The IP5000 Stinger Assembly is designed to be used as a connecting link between the clamp and the hoist hook.

Provides easy attachment of selected Crosby® IP clamp to hoist hook.

- Available in three sizes for the IP10 and IPU10 with capacities from .5 to 12 metric tons.
- Assembly consists of welded alloy master link, Grade 80 chain and A-1337 Lok-A-Loy for attachment to the clamp hoisting eye.
- Individually Proof Tested to 2.5 times the Working Load Limit of Grade 80 chain with certification
- Company name or logo and frame number permanently stamped on link.
- Locking system provides for simple assembly - no special tools needed.
- Finish - Red Paint.
- Manufactured by an ISO 9001 facility.



NOTE: Not Intended to be Used as a Chain Sling.

Model IP5000

Frame Size	Chain Size		Crosby® IP(U)10 Clamp Sizes (t)*	Crosby® IP(U)10H Clamp Sizes (t)*	IP5000 Stock No.**	Weight Each (kg)	Dimensions (mm)			
	(in)	(mm)					A	B	C	D
1	5/16	8	0.5 - 1	0.5	2701695	.95	13	60	100	315
2	1/2	13	2 - 4.5	1 - 3	2701704	3.4	22	90	144	484
3	7/8	22	6 - 12	4.5 - 6	2701713	14.7	36	140	234	820

* The working load of the assembly is based on working load limit of the selected clamp. **Ultimate load is 5 times the Working Load Limit.

Crosby[®] **CLAMP-CO**

CLAMPS

**Setting the
Standard
for Lifting**

Pipe Clamps

Beam Clamps

Barrier Grabs

Granite/Curb Grabs



Crosby®

Crosby CLAMP-CO®

The new Crosby Clamp-Co® Adjustable Pipe Grab provides an excellent means of handling cylindrical objects. Featuring *padded grabs*, the new Grab offers an excellent method of handling any pipe or solid bar, 3.5" to 36" (88.9 mm to 914 mm), especially where damage to material surface is not permitted.

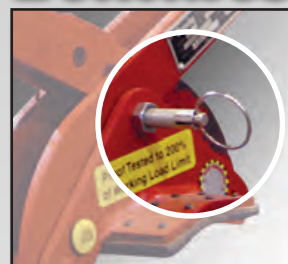
- Capacities: 1,200 lb to 20,000 lb (544 kg to 9,072 kg)
- Each Grab size accommodates several diameters of pipe or solid bar.
- Auto indexing system provides quick connect and disconnect to load (one person - hands free).
- Individually Proof Tested to 2 times the Working Load Limit with certification
- Designed to handle loads of various types of material, including:
 - Cast Iron / Steel
 - PVC
 - Painted
 - Epoxy Coated
- Finish - Red Paint
- Replacement pads are available.
- Features Crosby shackle as upper connection point.
- Custom sizes are available.
- All sizes are **RFID EQUIPPED.**



Clamp-Co Adjustable Padded Pipe Grab



Features Include:



Easy lock and unlock transport lever.

Auto indexing mechanism (one person - hands free)



Replaceable Pads



Crosby®

thecrosbygroup.com

CROSBY Clamps-Co® Padded Pipe Grab

CCPA



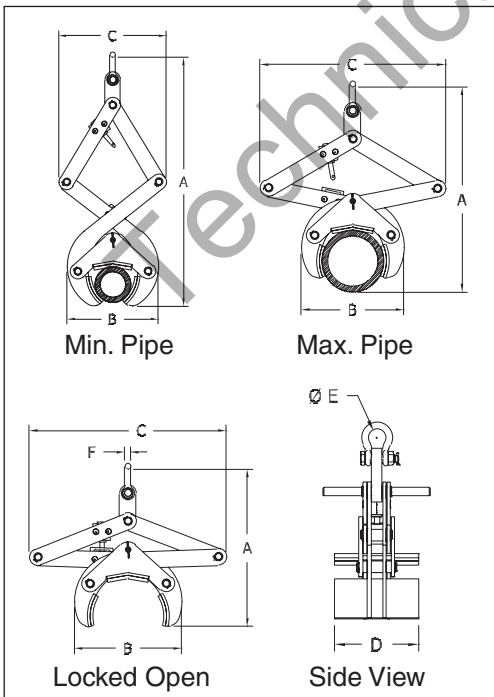
The new Crosby Clamp-Co® Adjustable Pipe Grab provides an excellent means of handling cylindrical objects. Featuring padded grabs, the new Grab offers an excellent method of handling any pipe or solid bar, 3.5” to 36”, especially where damage to material surface is not permitted.

- Capacities: 544 kg to 9072 kg.
- Each Grab size accommodates several diameters of pipe or solid bar.
- Auto indexing system provides quick connect and disconnect to load (one person - hands free).
- Individually Proof Tested to 2 times the Working Load Limit with certification
- Designed to handle loads of various types of material, including:
 - Cast Iron / Steel
 - PVC
 - Painted
 - Epoxy Coated
- Finish - Red Paint
- Replacement pads are available.
- Features Crosby shackle as upper connection point.
- Custom sizes are available.
- All sizes are **RFID EQUIPPED**.
- Only Models PA-5 and PA-8 come with a shackle.



Padded Pipe Grab

Model No.	CCPA Stock No.	Working Load Limit* (kg)	Weight Each (kg)	Grip Width	Dimensions (mm)					
					A	B	C	D	E	F
PA-5	2736000	544	10.4	Locked	343	254	457	165	33.3	12.7
				Open	686	229	203			
				Min. Pipe 90mm	584	229	375			
PA-8	2736009	907	34.0	Locked	597	394	705	254	42.9	16.0
				Open	1029	368	356			
				Min. Pipe 141mm	864	375	610			
PA-14	2736018	2041	104	Locked	730	610	724	394	38.1	25.4
				Open	1168	572	343			
				Min. Pipe 224mm	864	584	660			
PA-22	2736027	4536	225	Locked	1066	914	1079	508	63.5	38.1
				Open	1714	863	482			
				Min. Pipe 356mm	1320	914	1016			
PA-36	2736036	9072	567	Locked	1455	1449	1456	762	85.6	38.1
				Open	2337	1330	685			
				Min. Pipe 610mm	1686	1398	1352			



* Maximum Proof Load is 2 times the Working Load Limit and design factor based on EN13155 and ASME B30.20.

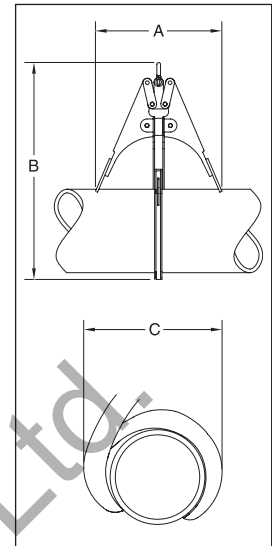
CROSBY Clamps-Co® Padded Pipe Grab



CCPG

Crosby Clamp-Co® Pipe Grabs provide an excellent means of handling cylindrical objects as long as they meet 1Pipe O.D. and Working Load Limits referenced in the table below.

- Capacities: 204 kg to 3175 kg.
- Moveable outriggers help stabilize the load.
- No blocking of load required.
- Individually Proof Tested to 2 times the Working Load Limit with certification
- Designed to handle loads of various types of material, including:
 - Cast Iron
 - Steel
 - PVC
 - C900
 - Yellowmine Ductile Iron
 - Cement Pipe
- Finish - Red Paint.
- Custom sizes are available.
- All sizes are **RFID EQUIPPED**.



NOTE: Pipe grab sizes listed will handle all classes in a category of ASA standard cast iron pipe, C900, Yellowmine, Schedule 40, 80 & 120 PVC or ASA standard steel welded and seamless pipe. Standard, extra strong and double extra all have the same outside diameter.

For Cast Iron Pipe C-900, C-905, Bluestripe C-906, Certa-Lok PVC Pressure Pipe

Model No.	CCPG- 900 Stock No.	Working Load Limit (kg)*	Pipe O.D. (mm)	Weight Each (kg)	Dimensions (mm)		
					A	B	C
C-3	2730000	204	102	4.54	127	254	152
C-4	2730009	272	122	4.99	203	356	178
C-6	2730018	454	175	6.80	279	432	279
C-8	2730027	635	230	11.3	330	559	356
C-10	2730036	907	282	21.8	381	686	432
C-12	2730045	1134	335	32.7	457	813	508
C-14	2730054	1588	389	47.6	559	965	584
C-16	2730063	1814	442	59.0	610	1067	635
C-18	2730072	2268	495	77.1	660	1143	711
C-20	2730081	2948	549	95.3	711	1270	813
C-24	2730090	3175	655	102	787	1473	889

* Maximum Proof Load is 2 times the Working Load Limit and design factor based on EN13155 and ASME B30.20.

For Steel Pipe SDR Class 200, Yellowmine, PVC Schedule 40, 80 and 120

Model No.	CCPG- 200 Stock No.	Working Load Limit (kg)*	Pipe O.D. (mm)	Weight Each (kg)	Dimensions (mm)		
					A	B	C
S-3	2731000	204	88.9	4.54	127	254	152
S-4	2731009	272	114	4.99	203	356	178
S-6	2731018	454	168	6.80	279	432	279
S-8	2731027	635	219	11.3	330	559	356
S-10	2731036	907	273	21.8	381	686	432
S-12	2731045	1134	324	32.7	457	813	508
S-14	2731054	1588	356	47.6	559	965	584
S-16	2731063	1814	406	59.0	610	1067	635
S-18	2731072	2268	457	77.1	660	1143	711
S-20	2731081	2948	508	95.3	711	1270	813
S-24	2731090	3175	610	102	787	1473	889

* Maximum Proof Load is 2 times the Working Load Limit and design factor based on EN13155 and ASME B30.20.

CROSBY Clamps-Co[®] Beam Clamps



CCBC

Crosby Clamp-Co[®] Beam Clamps provide an efficient method for handling wide flange beam sections and plate girders. When lifting, these beam clamps grip the beam at three points, and when properly balanced and safely guided, the beam can be handled even if the clamp is slightly off center lengthwise.

- Capacities: 4.54 Tons to 31.8 metric tons.
- Eliminates the need for slings, chokers, and spreader bars.
- When applied to load, the tongs automatically open and slide under the flange of the beam
- Center plate and gripping tongs work together - the heavier the beam, the greater the clamping pressure.
- Model "NS" clamps have a recessed base to accept studs welded to the beam surface.
- Individually Proof Tested to 2 times the Working Load Limit with certification
- Finish - Red Paint.
- All sizes are **RFID EQUIPPED**.

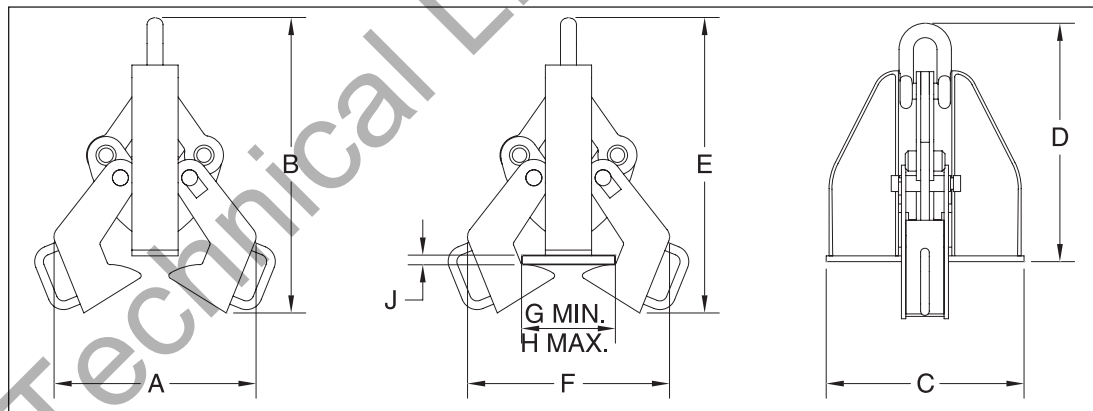


NOTE: Control the beam at all times. Beams should be gripped as near the center as possible. Snubbing lines at each end must be used to control excessive twisting or swinging, and to guide the beam to its proper place. Each lifting situation may have a specific demand which should be addressed before lifting.

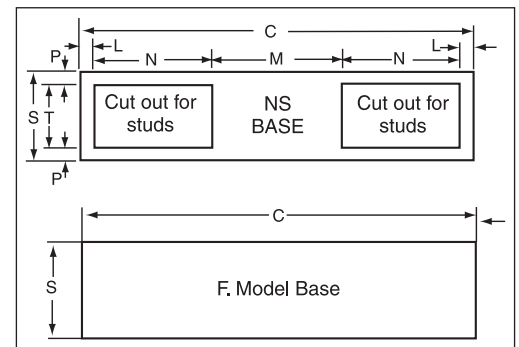
Beam Clamps

Model No.	CCBC-550 Stock No.	Working Load Limit (t)*	Flange Grip Range (mm)		Weight Each (kg)	Dimensions (mm)								
			Width	Thickness		A	B	C	D	E	F	G	H	J
F-5	2732000	4.54	102 - 254	13 - 25	31.8	241	660	305	508	648	406	102	254	25.4
NS-15	2732018	13.6	178 - 432	13 - 51	69.4	394	864	432	686	876	635	178	432	50.8
NS-25	2732036	22.7	406 - 610	25 - 76	132	584	1219	565	914	1346	946	406	610	76.2
NS-35	2732054	31.8	406 - 914	41 - 102	235	762	1626	699	1219	1473	1346	406	914	102

* Maximum Proof Load is 2 times the Working Load Limit and design factor based on EN13155 and ASME B30.20. NOTE: For beam clamps larger than 35 Tons, please contact the Crosby Special Engineered Products Department.



Base Stock No.	Base Dimensions (mm)						
	C	L	M	N	P	S	T
F-5	343	-	-	-	-	76.2	-
NS-15	432	12.7	165	114	19.1	102	63.5
NS-25	565	19.1	197	165	19.1	140	102
NS-35	699	19.1	229	216	19.1	152	114



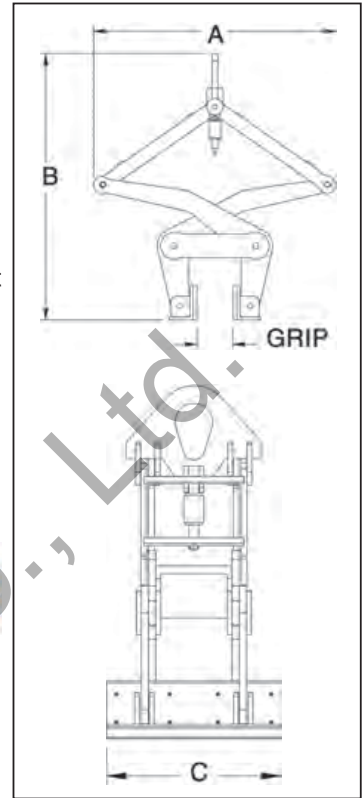
Crosby Lifting Clamps



CCBG

Crosby Clamp-Co® Barrier Grabs provide a fast and efficient method for handling concrete road barriers.

- Hands-free operation.
- Alloy Steel Construction.
- Comes equipped with polyurethane pads. (Replacement kits available).
- Eliminates the need for slings, chokers and spreader bars.
- Individually Proof Tested to 2 times the Working Load Limit with certification .
- Finish - Red Paint.
- All sizes are **RFID EQUIPPED**.



Barrier Grab

Model No.	CCBG-150 Stock No.	Working Load Limit (t)*	Weight Each (kg)	Grip Width (mm)	Dimensions (mm)		
					A	B	C
BG-9000	2734009	4.08	132	152 (min.)	1038	1140	457
				305 (max.)	1117	933	457

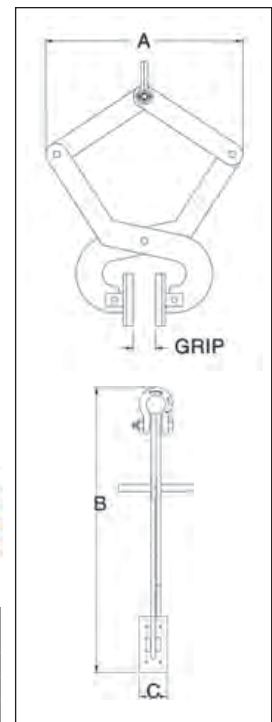
* Design factor based on EN13155 and ASME B30.20.



CCCG

Crosby Clamp-Co® Curb Grabs provide a fast and efficient method for handling large granite curbs.

- Hands-free operation.
- Available with polyurethane pads or hardened steel jaw (Replacement kits available).
- Eliminates the need for slings, chokers and spreader bars.
- Individually Proof Tested to 2 times the Working Load Limit with certification .
- Finish - Red Paint.
- All sizes are **RFID EQUIPPED**.



Curb Grab

Model No.	CCBG-140 Stock No.	Working Load Limit (kg)*	Weight Each (kg)	Grip Width (mm)	Dimensions (mm)		
					A	B	C
CG-1400	2734000	635	132	102 (min.)	572	692	76.2
				178 (max.)	635	514	76.2

* Design factor based on EN13155 and ASME B30.20.

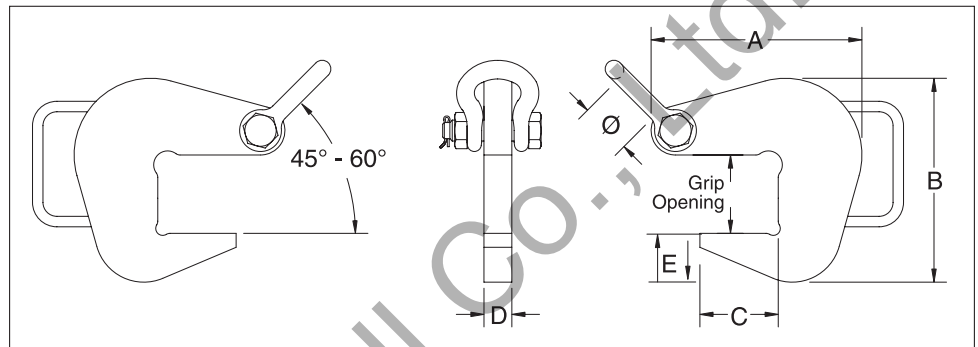
CROSBY® Clamps-Co Pipe Hooks



CCPH

Crosby Clamp-Co® Pipe Hooks provide a fast and efficient method for lifting pipe, tube or any similarly shaped fabrications.


- Alloy steel plate construction.
- Equipped with a convenient handle.
- Equipped with a Bolt Type Shackle.
- Non marring inserts available.
- Used in pairs with 45° - 60° horizontal angle or 60° - 90° included angle.



Pipe Hooks

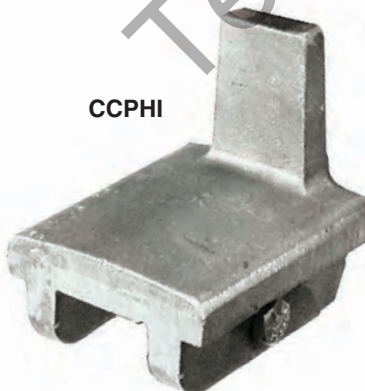
Model	CCPH Stock No.	Working Load Limit Per Pair (t)**	Grip Opening (mm)	Weight Each (kg)	Dimensions (mm)						Shackle Size (in)	Cast Aluminium Inserts*
					A	B	C	D	E	Ø		
PH-2	2734500	2	52.3	2.70	148	129	52.3	25.4	31.8	42.9	5/8	2734800 2734809
PH-4	2734509	4	71.4	4.56	192	186	71.4	25.4	44.4	42.9	5/8	2734818
PH-6	2734518	6	103	8.05	259	256	103	25.4	57.2	50.8	3/4	2734827
PH-10	2734527	10	154	17.5	376	383	154	25.4	88.9	68.3	1.0	2734836

* See CCPHI chart for Pipe ID range. **Design factor based on EN13155 and ASME B30.20. Contact our Specials Sales Department for custom Pipe Hooks or reference the special request form on page 489.

 **NOTE:** To determine grip opening when equipped with an insert, add the insert thickness shown in the Pipe Hook Insert table below.

Pipe Hook Inserts

- Replaceable cast aluminium inserts for use with the CCPH Pipe Hook that minimizes thread and pipe damage.



CCPHI

CCPHI

Model No.	CCPHI Stock No.	ID of Pipe (mm)	Insert Thickness (mm)
CCPHI	2734800	76 - 305	PH-2 = 18mm
	2734809	305 - 457	PH-2 = 33mm
	2734818	457 - 762	PH-4 = 33mm
	2734827	762 - 1067	PH-6 = 46mm
	2734836	1067 - 1329	PH-10 = 58mm



Crosby Lifting Clamps